

TETRA SEMI RECESSED

Installation Manual

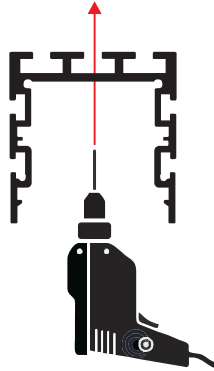
1. Cutting hole.

1a. 42mm for luminaire length $L \leq 0.5m$

1b. 45mm for luminaire length $L > 0.5m$

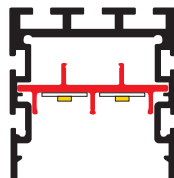


2. Drill a hole 3cm from the edge of TETRA profile according to the diameter of the power supply cable.

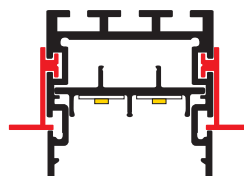


Then pass the power supply cable.

3. Slide the PRF.030 profile (with the LED strips attached on it) into TETRA profile and solder the power supply cable to the LED strips.



4. Slide both PRF.028 profiles into TETRA's left/right side.

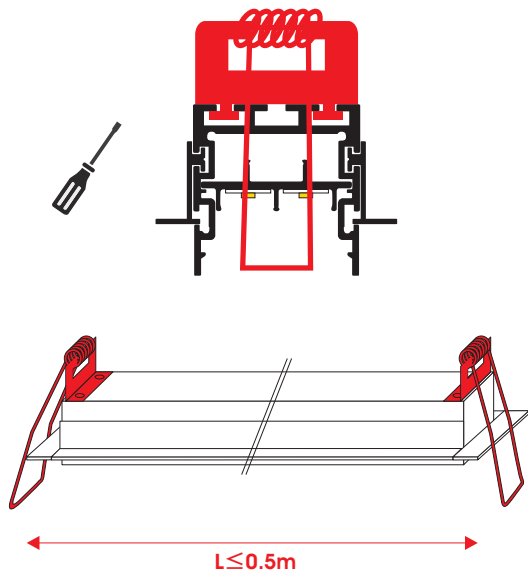


TETRA SEMI RECESSED

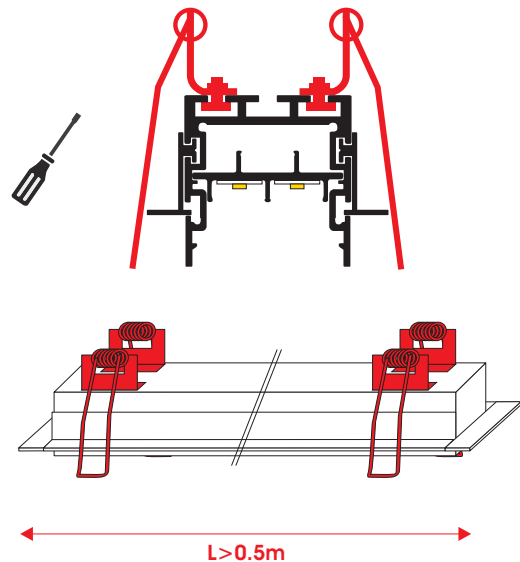
Installation Manual

5. Retaining springs placement.

5a. For luminaire length $L \leq 0.5m$
place 2 ACC.071 retaining springs
to the TETRA profile and then tighten the screws.

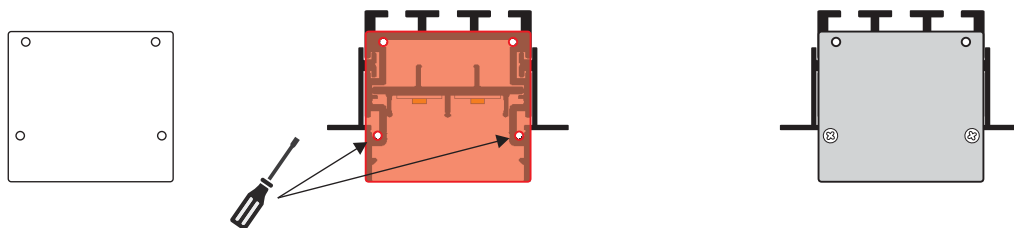


5b. For luminaire length $L > 0.5m$
place 4 ACC.071 retaining springs
to the TETRA profile and then tighten the screws.

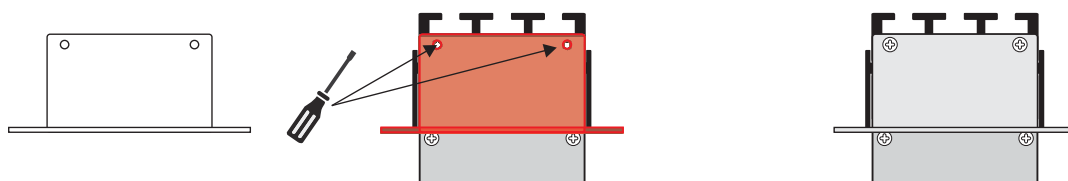


6. Place semi recessed end caps on both sides of the luminaire.

6.1. First take the end cap with the 4 holes and place 2 screws at the bottom side.



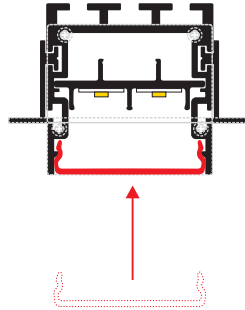
6.2. Then take the end cap with the 2 holes and place 2 screws at the top side.



TETRA SEMI RECESSED

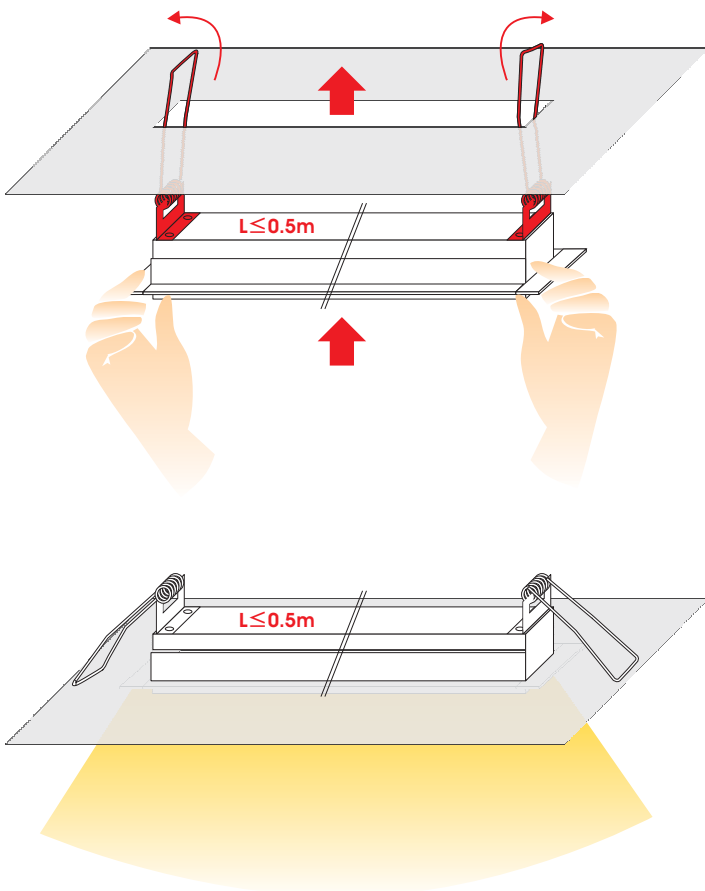
Installation Manual

7. Place the cover.



8. Place the luminaire at the opening.

8a. Place the luminaire with length $L \leq 0.5m$ at the opening.



8b. Place the luminaire with length $L > 0.5m$ at the opening.

